



RECOMMENDED METHOD OF FITTING DOUBLE GLAZED UNITS

All sealed double glazed units
with Pilkington 'K' glass.



**UNDER NO CIRCUMSTANCES MUST LINSEED OIL
PUTTY OR GLAZING BITUMEN BE USED, THESE WILL
CAUSE THE UNITS TO FAIL OVER TIME.**

SEE FITTING INSTRUCTIONS OVERLEAF

THE WINDOW CENTRE BRADFORD LIMITED 160 ALLERTON ROAD, BRADFORD BD8 0AA

TEL/FAX: 01274 480632 MOBILE: 07773 130022

EMAIL: INFO@THEWINDOWCENTRE.NET WWW.THEWINDOWCENTRE.NET

① Apply double sided glazing tape and remove yellow film

② Insert plastic spacer to rest glazing unit on

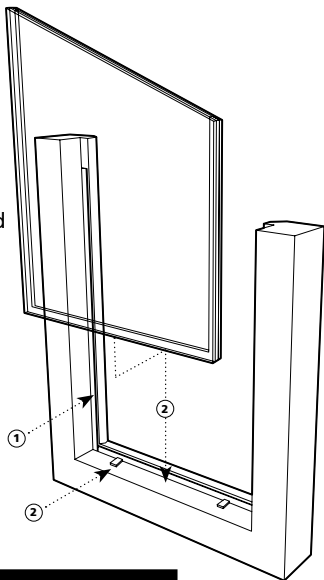
③ Align unit leaving equal space at both sides

④ Firmly press against double sided tape

⑤ Apply a generous bead of neutral cure silicone around unit filling the gap

⑥ Press beading onto silicone bead and secure using panel pins

⑦ If any silicone remains in view allow to cure and remove with a glass scraper.



Glazing products available on request.